

Fluidcontrolterminal G3/4 tedrive

- tedrive Germany - Specification -

easyjust

Technical Data

Max. operating pressure 1 bar
 Max. operating temperature 80 °C
 Min. density of fluid 0.8 kg/dm³

Material

Float SK 610 hard PU
 Switch tube brass
 Stilling tube brass
 Housing material PA 12
 Flange galvanised steel
 Breather retention rate SM-L (3 µm)

Level contacts

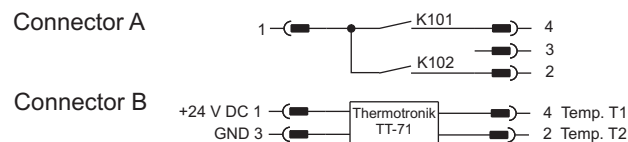
K101 and K102
 Function L1 = NO / L2 = NO*
 Max. voltage 24 V DC
 Max. current 0.5 A
 Max. contact load 10 VA
 * NO = normally open, NC = normally closed

Temperature sensor

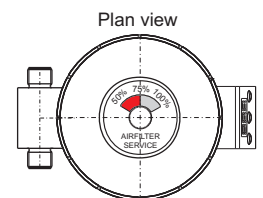
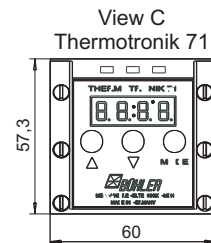
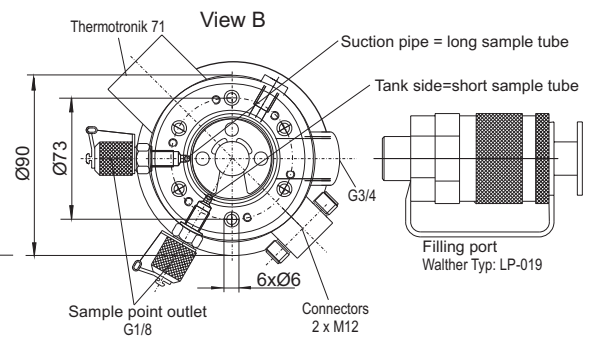
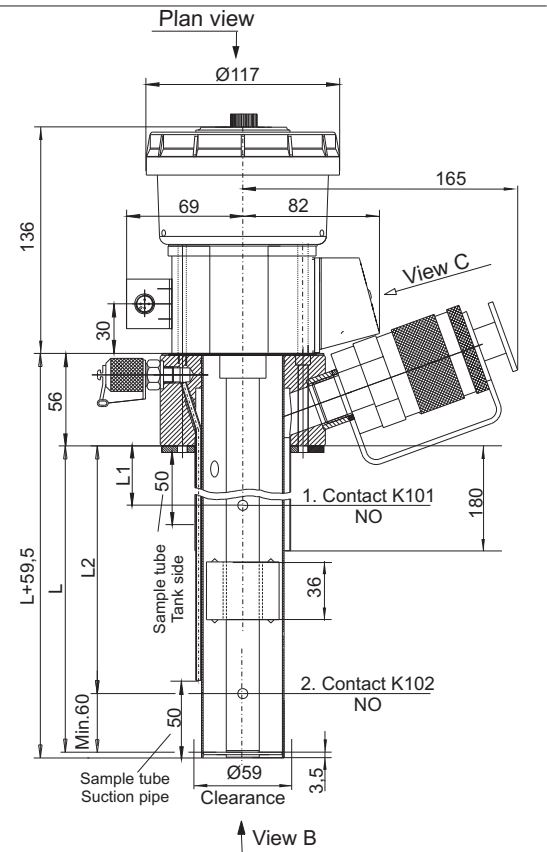
Thermotronic 71
 Range of temperature display from -20 to +120 °C / 4° to 248 °F
 Alarm indicator range 0 to +99 °C or 32° to 178 °F
 Display four digit seven segment-LED-Display
 Operating current consumption about 30 -50 mA
 Supply voltage 24 VDC ±10 %
 Output switches 2 x PNP
 T1 = 65°C NC
 T2 = 75°C NC
 Ambient temperature 0 - 70 °C
 Accuracy 1 % of full scale
 Resolution 1 °C / 2 °F
 Programming 3 button key pad
 Connector 2 x M12
 Protection class IP 65

Wiring Diagram

All figures at empty reservoir



F000463X



F000462D

We reserve the right to amend specification

Order Information

Type	Part No.	L	L1	L2	T1	T2
FC-T G3/4-75 GETRAG01	1175900301	250 mm	40 mm NO	190 mm NO	65 °C NC	75 °C NC
FC-T G3/4-75 GETRAG02	1175900302	370 mm	40 mm NO	310 mm NO	65 °C NC	75 °C NC

Accessories

Part No. 9144050018 Connecting cable M12x1 with 1 x 5 pole M12 plug cable length: 3,0m