

Nivotemp 64-2ej-3LED-M12

- Daimler specification -



The Nivotemp 64-2ej-3LED-M12 with M12x1 connectors and integrated LED confirms to DESINA requirements. The LEDs inside the transparent connector socket indicate the levels and are visible from all sides. Bistable contacts monitor the level electrically. The standardized flange for breathing filters (according to DIN 24557 Part 2) allows easy installation to the vessel.

The Nivotemp 64-2ej-3LED-M12 in this configuration complies with Daimler requirements.

Please note that our product range contains more Daimler-specific versions of the Nivotemp and Nivovent series.

- **Adjustable level contacts**
- **Bistable level contacts = only one float**
- **High float sensitivity**
- **International standard flange dimensions**
- **Easy installation**
- **Maintenance free**

Technical data

Max. operating pressure	1 bar (14.5 psi)
Max. operating temperature	80 °F (176 °F)
Min. density of fluid	0.8 kg/dm ³ (0.029 lb/in ³)

Material:

Float SK 610	hard PU
Switch tube	brass
Flange	PA 6

Level contacts

Function	NC / NO*
Min. distance of contact	1.57"
Max. voltage	24 V
Max. current	0.5 A
Max. contact load	10 VA

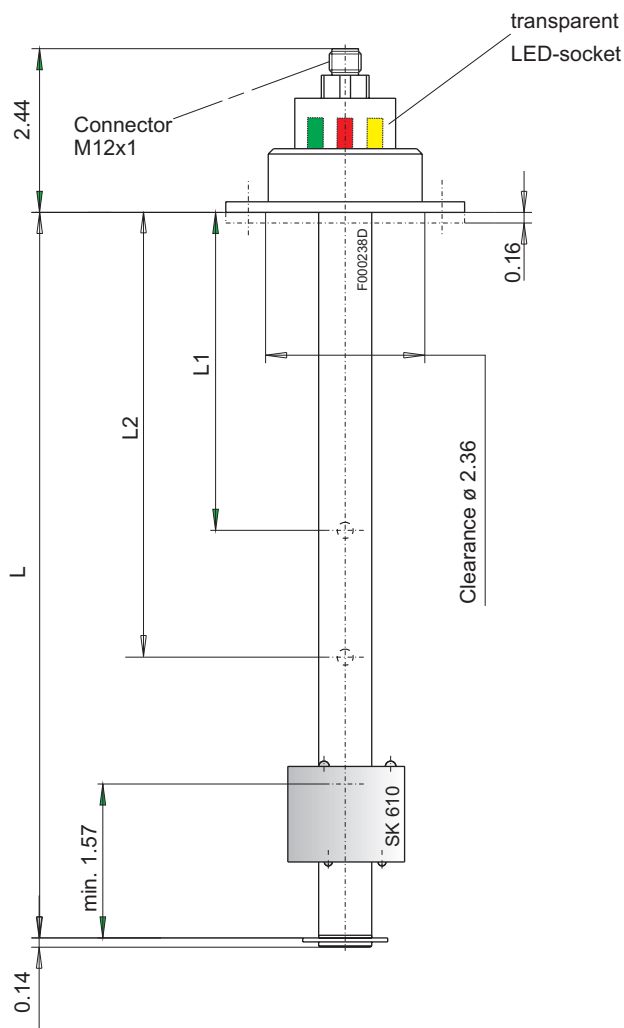
* NC = normally closed / NO = normally open

All figures at empty reservoir

Male plug

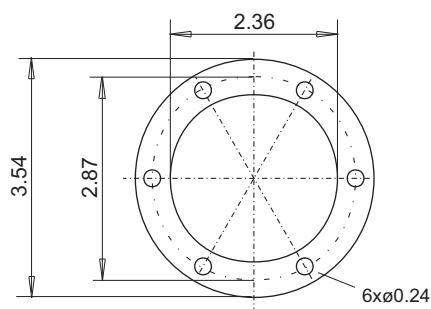
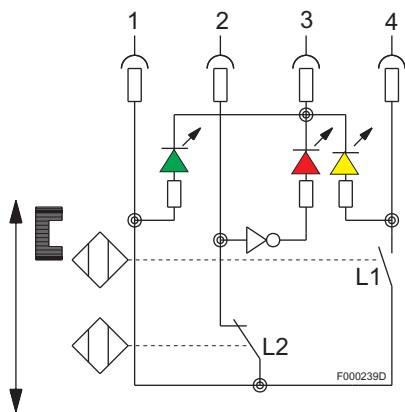
Protection class **M12 x 1 (4 pol.)**
IP67 with female plug fixed

Dimensions given in inch



Wiring Diagramm

Normal position = at filled reservoir



Ordering Information

Type	Part No.	L1	L2	Length L
Nivotemp 64-2ej-3LED-M12	10272999	5.91" NC *	7.87" NO *	14.57"
Nivotemp 64-2ej-3LED-M12	10273999	7.87" NC *	11.81" NO *	20.47"

* NC = normally closed / NO = normally open

Accessories

Part No. 9144050018 Connecting cable M12x1 with 1 x 5 pole M12 plug cable length: 9.8 ft