

# Fluidcontrolterminal G3/4 tedrive

- tedrive Germany - Specification -

## Technical Data

Max. operating pressure 1 bar (14.5 psi)  
 Max. operating temperature 80 °C (176 °F)  
 Min. density of fluid 0.8 kg/dem<sup>3</sup> (0.029 lb/in<sup>3</sup>)

### Material

Float SK 610 hard PU  
 Switch tube brass  
 Stilling tube brass  
 Housing material PA 12  
 Flange galvanised steel  
 Breather retention rate SM-L (3 µm)

### Level contacts

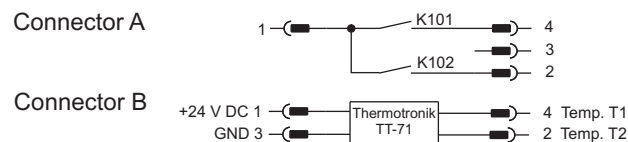
K101 and K102  
 Function L1 = NO\* / L2 = NO\*  
 Max. voltage 24 V DC  
 Max. current 0.5 A  
 Max. contact load 10 VA  
 \* NO = normally open, NC = normally closed

### Temperature sensor

**Thermotronik 71**  
 Range of temperature display from 4° to 248 °F or -20 to +120 °C  
 Alarm indicator range 32° to 178 °F or 0 to +99 °C  
 Display four digit seven segment-LED-Display  
 Operating current consumption about 30 -50 mA  
 Supply voltage 24 VDC ±10 %  
 Output switches 2 x PNP  
 T1 = 149 °F NC  
 T2 = 167 °F NC  
 Ambient temperature 0 - 70 °C (32 - 158 °F)  
 Accuracy 1 % of full scale  
 Resolution 1 °C / 2 °F  
 Programming 3 button key pad  
 Connector 2 x M12  
 Protection class IP 65

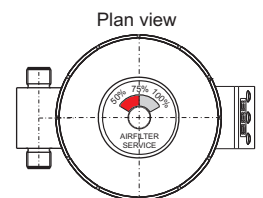
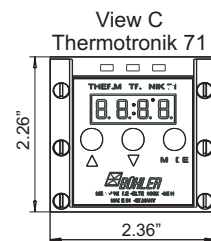
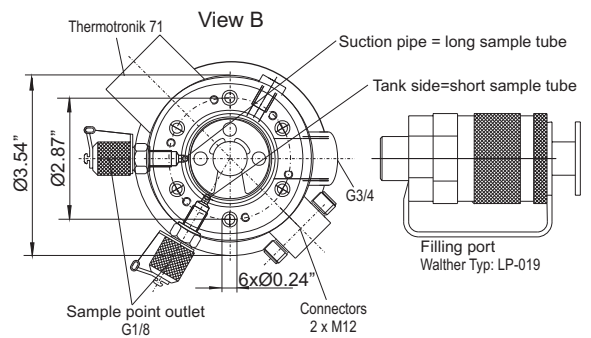
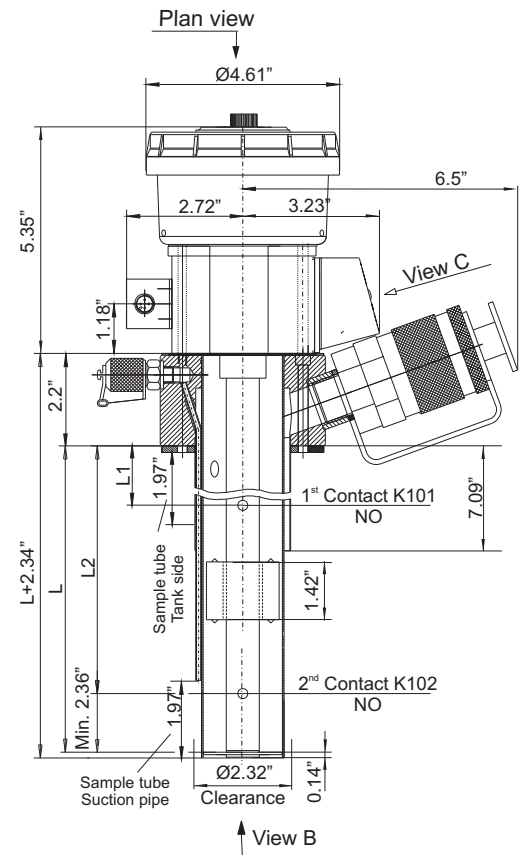
### Wiring Diagram

All figures at empty reservoir



F000463X

Dimensions given in inch



We reserve the right to amend specification

## Order Information

Type	Part No.	L	L1	L2	T1	T2
FC-T G3/4-75 GETRAG01	1175900301	9.84"	1.57" NO	7.48" NO	149 °F NC	167 °F NC
FC-T G3/4-75 GETRAG02	1175900302	14.57"	1.57" NO	12.2" NO	149 °F NC	167 °F NC

### Accessories

Part No. 9144050018

Connecting cable M12x1 with 1 x 5 pole M12 plug cable length: 9.8 ft