

Nivotemp 62-2-C6F-T-03V001-ej

easyjust

- Daimler specification -



The Nivotemp 62-2-C6F-T-03V001-ej featuring the Buhler “easyjust” technology is a compact economic combination of level switch and precise temperature indication with LED display.

The unit provides two temperature alarm/switch outputs in addition to two level switching points.

The “easyjust” system simplifies the adjustment of the level contacts. The system consists of level contact cartridges that clip onto a gold plated contact board which incorporates the Pt100 (RTD) temperature sensor.

Both the level contacts and temperature controls clip directly onto the contact board thus eliminating wiring.

The unit has a DIN 24557 flange for easy installation.

The Nivotemp 62-2-C6F-T-03V001-ej in this configuration complies with the Daimler requirements. It provides two M12 connector sockets, a temperature display, and preset level contacts.

Please note that our product range contains more Daimler specific versions of the Nivotemp and Nivovent series.

- **Combined level and temperature control**
- **Adjustable alarm outputs for temperature**
- **“Clip on” adjustable level contacts**
- **High float sensitivity**
- **Easy installation**
- **Maintenance free**
- **High visibility LED display**

Technical Data

Max. operating pressure	1 bar (14.5 psi)
Max. operating temperature	80 °C (176 °F)
Min. density of fluid	0.8 kg/dm ³ (0.029 lb/in ³)

Material

Float SK 610	hard PU
Switch tube	brass
Flange	PA

Level contact

K101 and K102

Function	NO / NC*
Min. distance between contacts	1.57"
Max. voltage	24 V
Max. current	0.5 A
Max. contact load	10 VA

* NC = normally closed / NO = normally open (all figures at empty reservoir)

Thermotronik 61

Range of temperature display	from 4° to 248 °F (-20 to +120 °C)
Alarm indicator range	32° to 210 °F (0 to +99 °C)
Programmable set points	2 x
Connector socket	2 x M12
Housing	ABS-plastic
Depth of housing	2.17"
Protection class	IP 65
Display	three digit seven segment-LED-display light emitting diodes for status display

Current consumption at power up about 140 mA for 100 ms

Operating current consumption about 30 -70 mA

Supply voltage 24 VDC ±10 %

Output switches 2 x with max. 24V / 1A

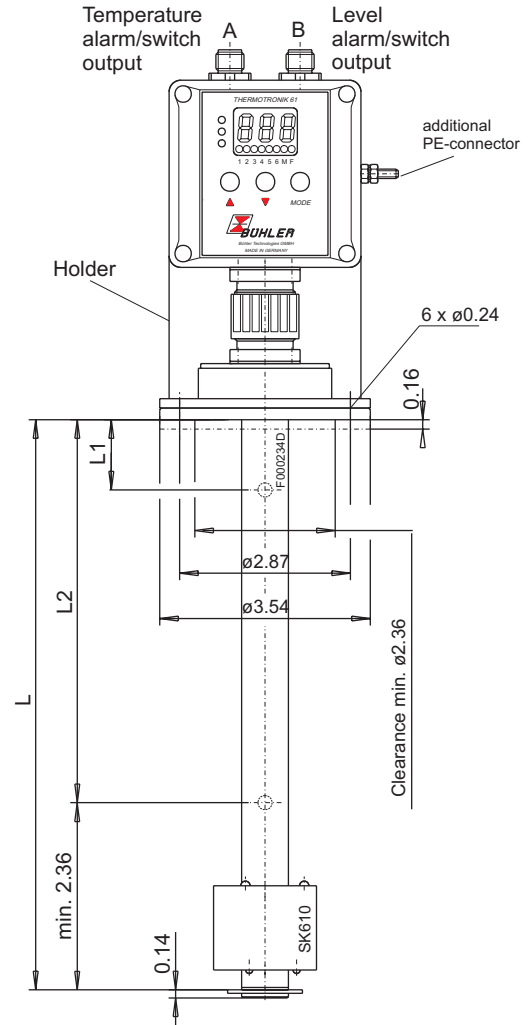
Ambient temperature 0 - 70 °C (32 - 158 °F)

Accuracy 1 % of end indication value

Resolution 2 °F (1 °C)

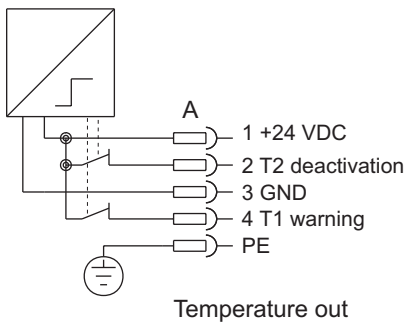
Programming 3 button keypad

Dimensions given in inch

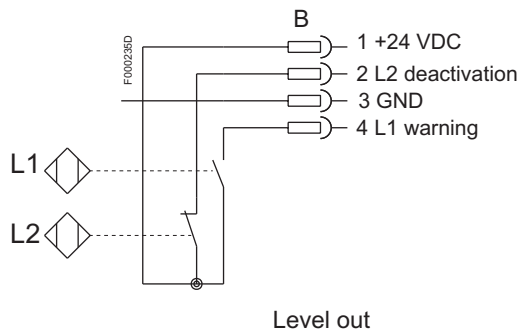


Wiring Diagram

normal position = at filled reservoir



Temperature out



Level out

Order Information

Nivotemp 62-2-C6F-T-03V001-ej with float SK610

Part No.	Connector socket	Display	L =	L1=	L2=	Temperature-contact T1	Temperature-contact T2
10318999	2xM12	yes	9.84"	3.94" NO*	7.48" NC*	122 °F / NC*	140 °F / NC*
101289999	2xM12	yes	9.84"	5.91" NO*	7.48" NC*	122 °F / NC*	140 °F / NC*
10254999	2xM12	yes	14.57"	5.91" NO*	7.87" NC*	122 °F / NC*	140 °F / NC*
101090999	2xM12	yes	14.57"	7.87" NO*	11.81" NC*	122 °F / NC*	140 °F / NC*
10255999	2xM12	yes	20.47"	7.87" NO*	11.81" NC*	122 °F / NC*	140 °F / NC*

* NC=normally closed / NO=normally open

Accessories

Part No.

9144050018

Connecting cable M12x1 with 1 x 5 pole M12 plug cable length: 9.8 ft