

Multiterminal RE

- RENAULT Specification -



Over the years the Fluidcontrolterminal has taken a very significant role in condition monitoring of fluid power systems.

Based on the experience with this combined unit, Buhler is introducing a more advanced product with a greater integration of functions.

The Multiterminal RE integrates the function of a tanktop return-line filter with advanced two-stage capacity monitor and filling port.

The design allows easy configuration for individual applications. The Multiterminal consists of a cast aluminum baseplate with integrated return-line filter head. The head offers three different G 1 inlet ports situated 90° and G 1/2 filling port. In addition a port for a cartridge valve is provided where automated filling is required. Two sample ports are provided for alternate use plus one sample port in the return line.

The base plate has an interface flange according to DIN 24550/T2. The flange can take any suitable breather filter or can be equipped with Nivovent units from either series 7 or 8. These units feature a qualified breather filter with integrated level controls and temperature display plus controls as an option.

- **Combination of:**
 - **Breather**
 - **Level and temperature control**
 - **Return-line filter with capacity indicator**
 - **Sample ports for reservoir and return line**
 - **Filling port**

- **Return-line filter with filter element 10 µm according to DIN 24550**

- **International standard flange DIN 24557, part 2 integrated in base plate**

- **Compact dimensions**

- **Easy installation**

- **Modular design**

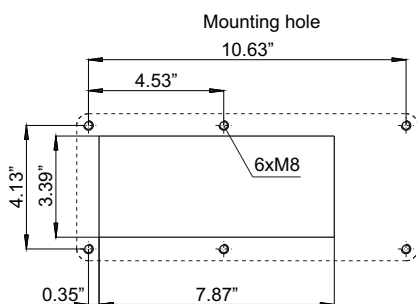
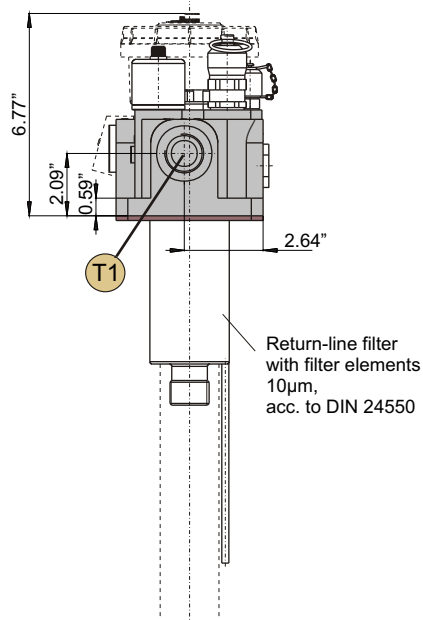
Technical Data

Max. operating pressure (Return-line)	10 bar (145 psi)
Max. operating temperature	80 °C (176 °F)

Material

Base plate	GK-AISI12
Gasket	GI-cork
Filter cap and -housing	plastic

Dimensions (inch)

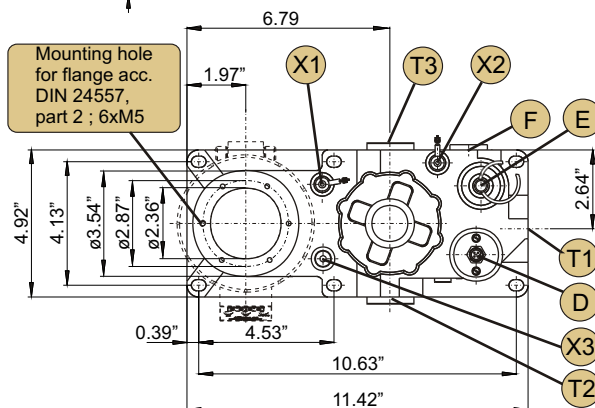
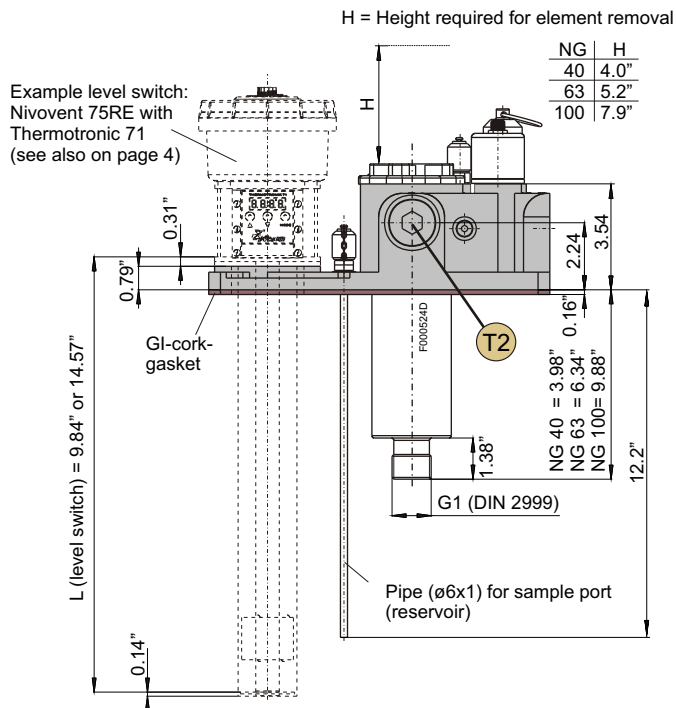


Filter Data

Opening pressure bypass	Δp 3.5 bar (50 psi) $\pm 10\%$
Nominal size	NG 40, NG 63 or NG 100
Filter element according DIN 24550	10 µm

Weight

Multiterminal without level switch	3.5 kg (7.7 lb) (NG 100)
------------------------------------	--------------------------



Note:

The return-line filter is part of the basic unit and available in the sizes NG40, NG63 and NG100.

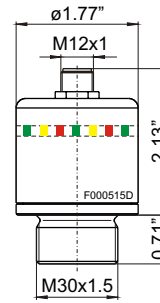
Placement of Connections:

D	= Capacity indicator, Bühler VSA 24-SM-2,2/2,9
E	= Filling port G1/2, Stäubli SBA 11/CN
F	= Sealing plug
T1	= Connection G1 for return-line filter
T2 / T3	= Sealing plug G1 (alternative connection for return-line filter, connection T1)
X1	= Sample port G1/8, mini-mess with pipe for probe reservoir
X2	= Sample port G1/8, mini-mess for probe return-line
X3	= Sealing plug G1/8 (alternative connection for X1)

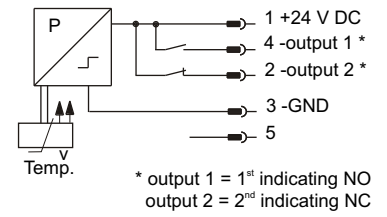
(The connections at T1, T2 and T3 as well as X1 and X3 may be configured by the customer .)

Connection D - Capacity Indicator

Model	Bühler VSA 24-SM-2,2/2,9
	- self-monitoring -
Max. voltage	24 V DC
Max. current	1 A at 24 V DC
Max. operat. pressure	145 psi
Indication	electric / visual (light-em. diodes)
1. indicating (forewarn)	32 psi
2. indicating (shutoff)	42 psi
Operating temperature	32 to + 185 °F
Cold start suppression	from 86 °F (medium temperature)
Connector	M12x1, 5-pol. (without plug)
Protection class	IP67 (with plug fixed)
Material	Al / PC

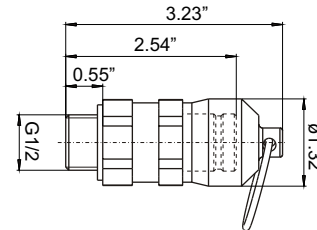


Wiring diagram



Connection E - Filling Port

Model	Stäubli SBA 11/CN
	(plug)
Nominal size	11
Connection	male thread G ½
Material	chrome steel / hardened steel



Ordering Information

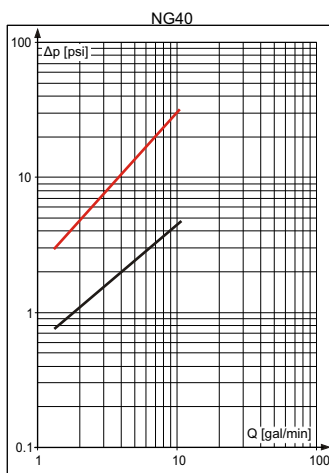
Basic unit Multiterminal comprising of:
base plate, plate gasket, connections configured as described on page 2
and

return-line filter with filter-element 10µm	NG 40	NG 63	NG 100
Multiterminal RE			
Part-no.	10018199RE	10018299RE	10018399RE

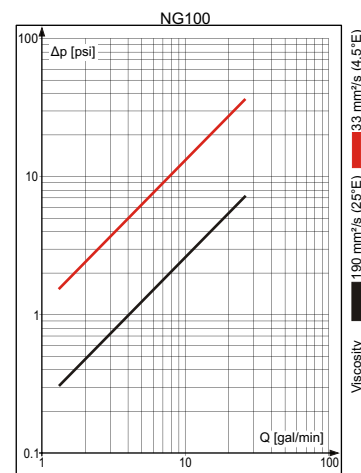
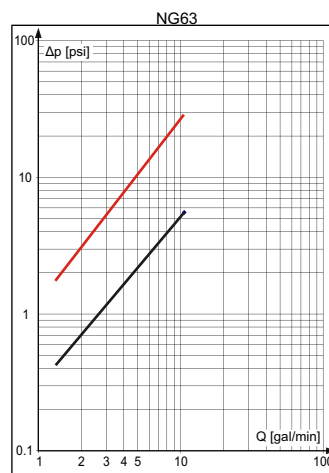
Accessories / Spare Parts: DIN-filter element 10µm

	NG 40	NG 63	NG 100
Model	N 0040 RN 10	N 0063 RN 10	N 0100 RN 10
Part-no	1001004010	1001006310	1001010010

Flow rate/pressure drop curve complete filter



F000525X



Level Switches according to Renault Specification

Nivovent 75 RE 18
L = 9.84"
Part-no: 1075900118

Nivovent 75 RE 13
L = 14.57"
Part-no: 1075900113

Technical data: see data sheet DA 10 0061

Nivovent 85 RE 18
L = 9.84"
Part-no: 1085900118

Nivovent 85 RE 13
L = 14.57"
Part-no: 1085900113

Technical data: see data sheet DA 10 0062

